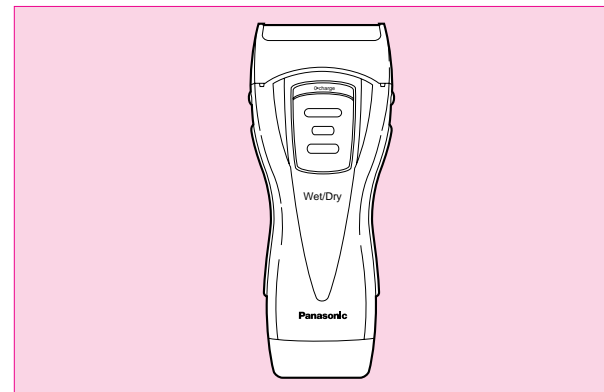


**Panasonic**<sup>®</sup>

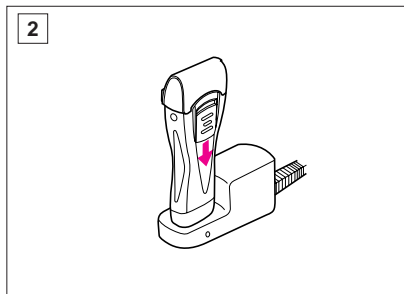
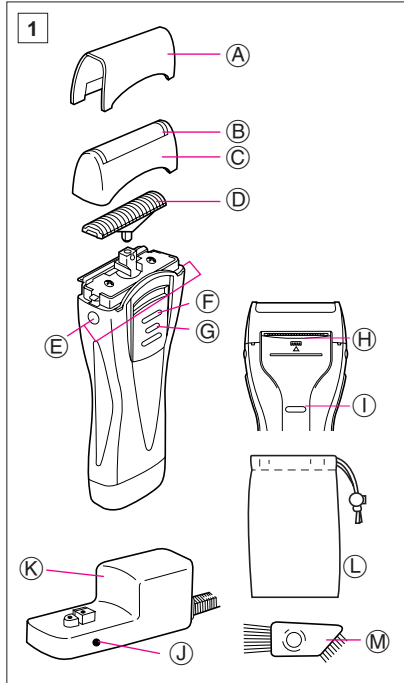
Wet/Dry Rechargeable Shaver  
**Operating Instructions**

ES3042

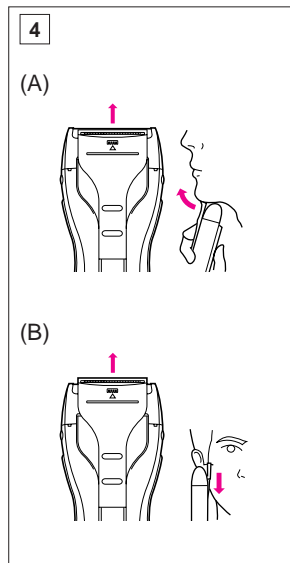
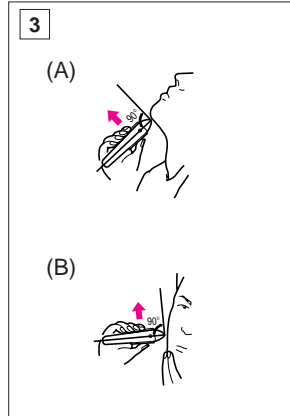


**Matsushita Electric Works-  
Wanbao (Guangzhou) Ltd.**

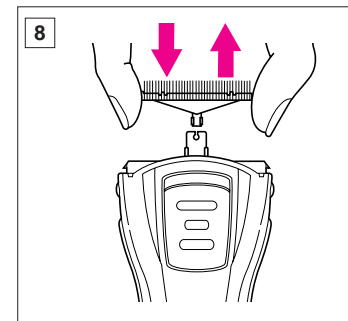
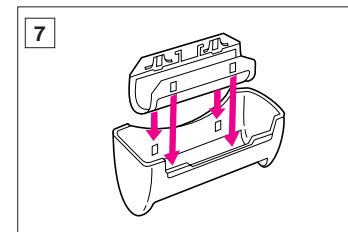
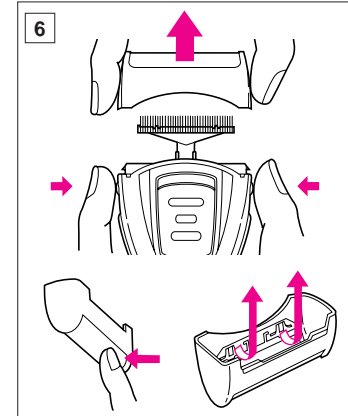
Before operating this unit, please read these instructions completely.

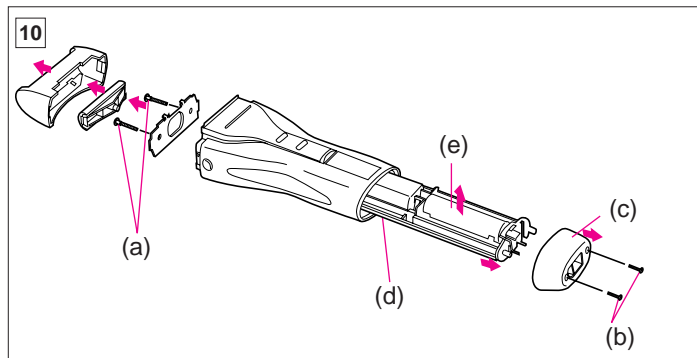
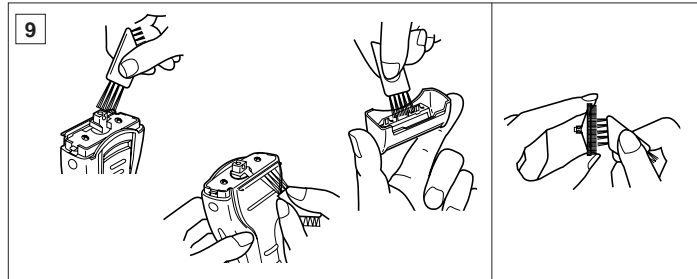


2



3





### Index

ENGLISH	Page	5	NORSK	Side	37
DEUTSCH	Seite	9	SVENSKA	Sid	41
FRANCAIS	Page	13	SUOMI	Sivu	45
ITALIANO	Pagina	17	РУССКИЙ	Страна	49
NEDERLANDS	Pagina	21	POLSKI	Strona	54
ESPAÑOL	Pagina	25	CESKY	Strana	59
DANSK	Side	29	MAGYAR	Oldal	63
PORTUGÊS	Pagina	33	ROMANA	Pagina	67